

Installation, Operation & Maintenance Manual

PS-2™



NOTICE: This product is to be used only as directed. Read entire manual before use. Do not use unless properly installed.



IMPORTANT SAFETY INSTRUCTIONS

When using electrical products, basic precautions should always be practiced including the following:

1. READ AND FOLLOW ALL SAFETY INSTRUCTIONS.

2. Read and follow all instructions that are on the product or provided with the product.
3. Reference the National Electrical Code, NFPA 70, specifically for the installation of wiring and clearances from power and lighting conductors.
4. Installation work and electrical wiring must be done by qualified person(s) in accordance with all applicable codes and standards, including fire-rated construction.
5. **WARNING:** Risk of Fire. Installation involves special wiring methods to run wiring through a building structure. Consult a qualified electrician.

SAVE THESE INSTRUCTIONS

This manual contains important safety and operating instructions for power units.

Thank you for purchasing a PS-2™ air ionization system from GPS Air.

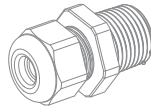
What's Included

Before you start, confirm the contents of your shipment. Each PS-2 will consist of the following:

1. PS-2 Power Supply (1)
2. Cable Gland (1)
3. Self drilling sheet metal screws (4)



(1)



(1)



(4)

Supplies Not Included

1. Conduit fitting for incoming AC power
2. Wiring for incoming AC power
3. Grommets/glands for any wiring penetrations

Location

Install PS-2 within 100 feet of ionization system to avoid excessive power losses. Take care to not damage wiring when installing away from ionizer.

NOTE: Use temperature - Maximum ambient temperature in which unit shall be used: 160°F/ 70°C.



Review the installation video at our website or scan the QR code opposite.



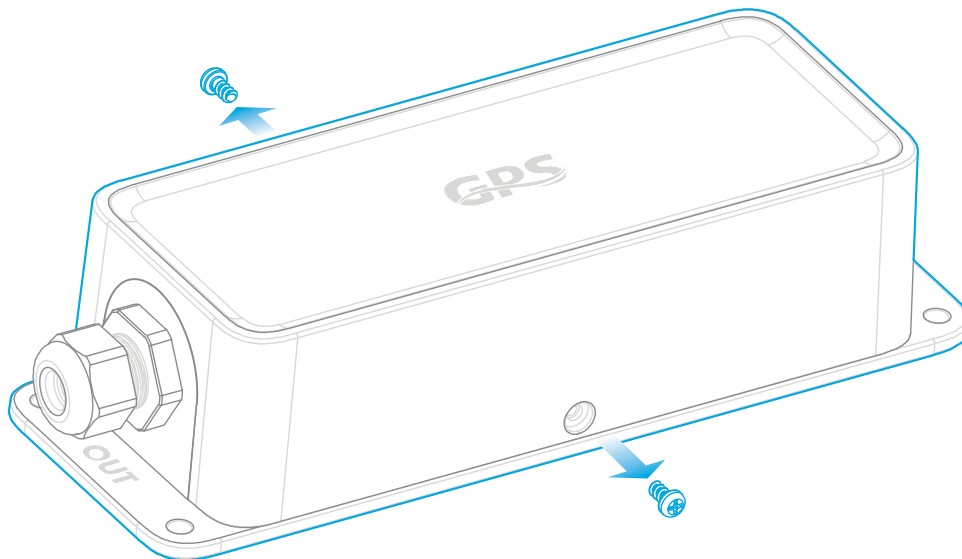
Installation

! **WARNING:** Make sure power is disconnected to the HVAC equipment before installation.

! **CAUTION!** High Voltage.

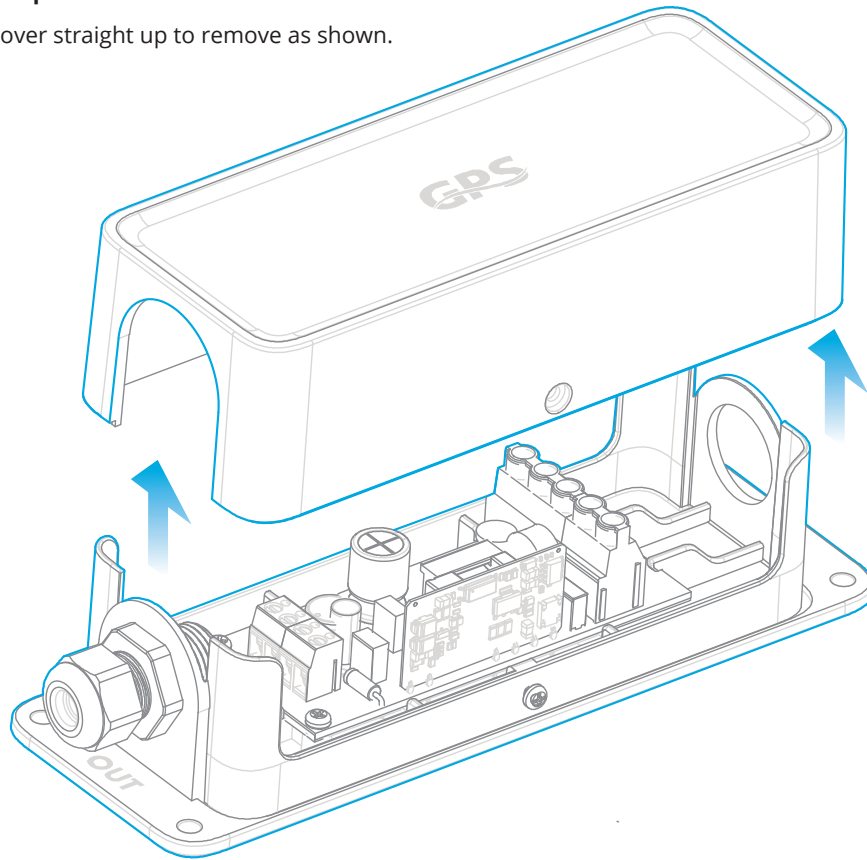
Step 1. Remove Screws

- Remove two screws from the top cover as shown.



Step 2. Remove Top Cover

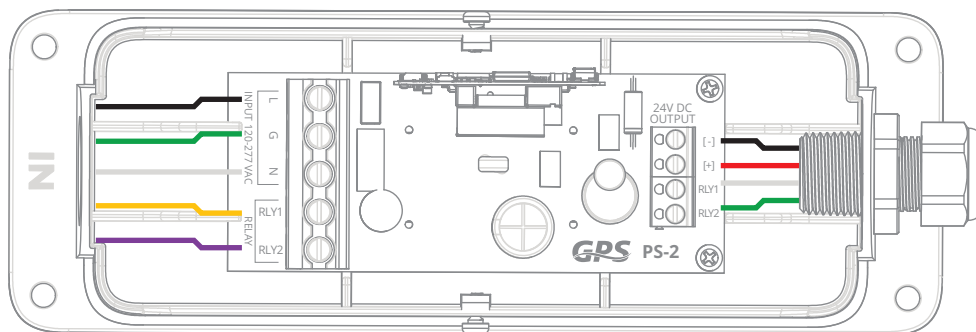
- Lift top cover straight up to remove as shown.



Step 3. Wiring

NOTE: Metallic conduit shall be properly bonded in accordance with the national electric code article 250.

- Connect the appropriate conduit and fitting as necessary for the application.
- Route the wires as shown and make connections according to the marking located on the product.
- Tighten the fittings to adequately secure the cable and conduit.



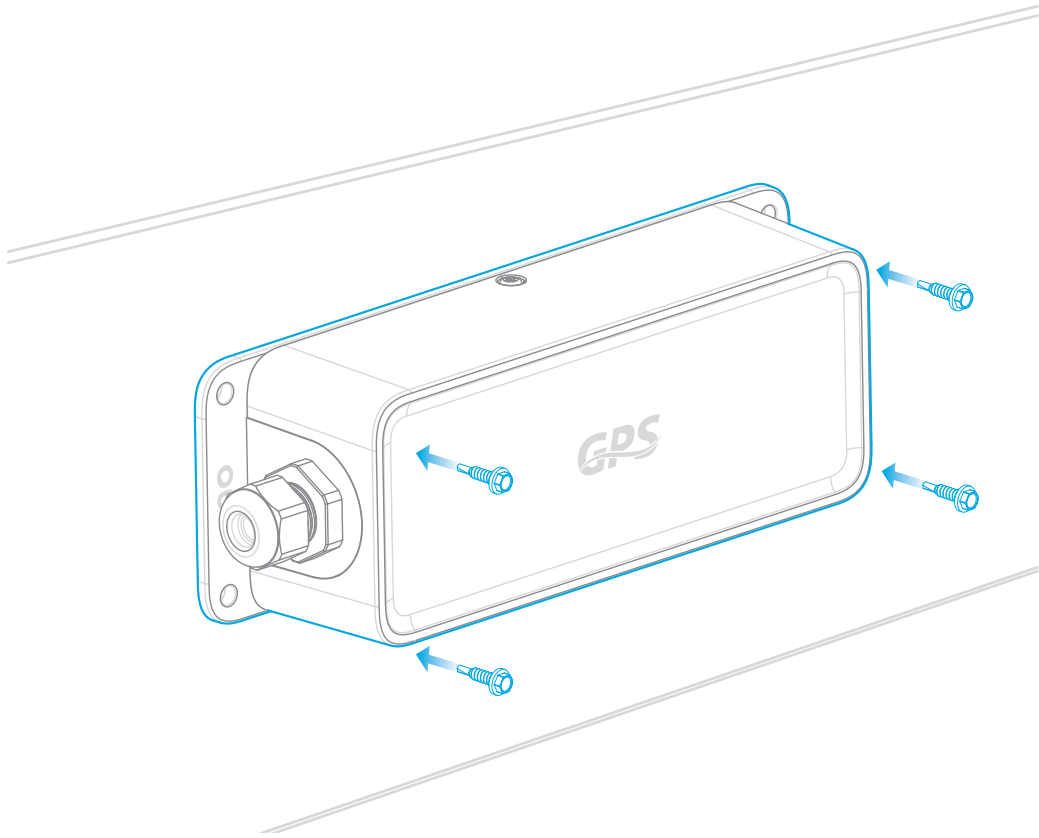
For installations in plenum spaces use only metallic clad conduit on incoming AC power.

Wire colors will vary by incoming AC power and GPS product.



Step 4. Mounting

- Using the supplied fasteners mount the PS-2 to an appropriate vertical or horizontal surface.



Product Registration

By registering your order, the standard limited warranty on eligible products from your purchase is automatically extended to 3 years, at no additional cost.

Register your products at www.gpsair.com/product-registration or scan the QR code.



The information provided in this manual is up to date at the time of printing. Any revisions to this document will supersede the content included. For the latest applicable version of this manual, visit our website or utilize the QR code.



3101 Yorkmont Road · Suite 400
Charlotte, NC 28208
980-279-5622



To access a list of applicable patents, please visit www.gpspatents.com

