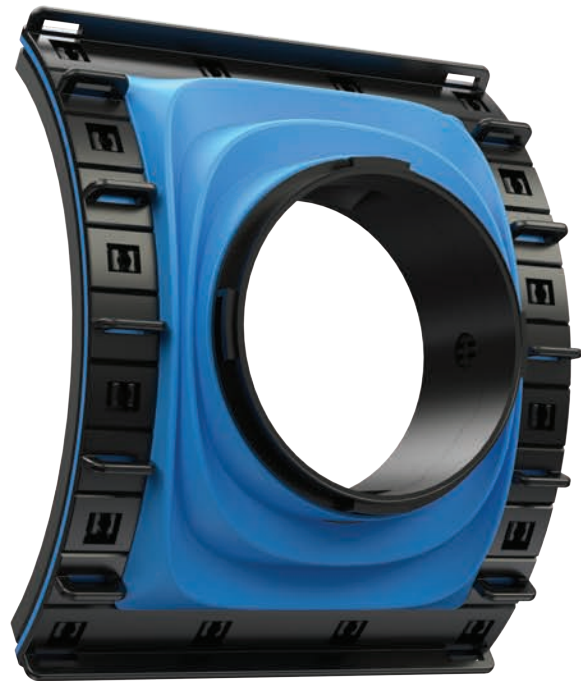


Installation Manual

DM-S™



NOTICE: This product is to be used only as directed. Read entire manual before use. Do not use unless properly installed.

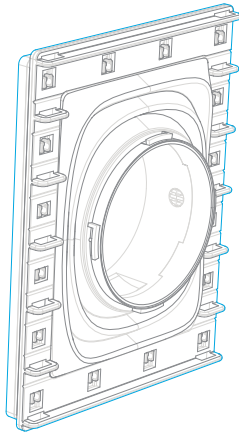


Thank you for purchasing a DM-S™ mounting accessory from GPS Air.

What's Included

Before you start, confirm the contents of your shipment. Each DM-S will consist of the following:

1. DM-S Saddle (1)



(1)

Supplies Not Included

1. 4.5-inch hole saw or snips
2. Cable ties or band clamps
3. Fasteners if applicable

Location

For best results install the DM-S as close to the conditioned space as possible. This will minimize losses throughout the ductwork.



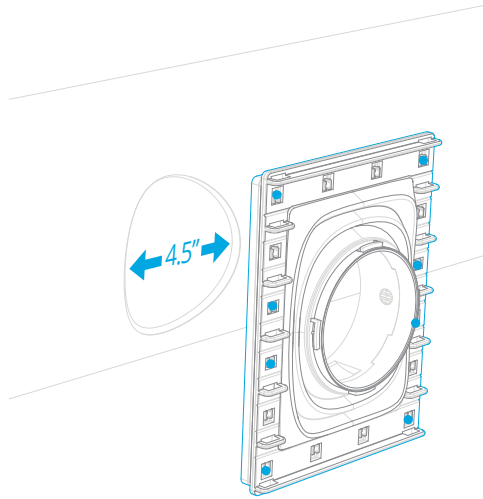
Standard Installation



WARNING: Make sure power is disconnected to the HVAC equipment before installation.

Step 1. Cut Hole

- Find an appropriate location for the DM-S and cut a 4.5" hole.



Step 2. Prepare DM-S

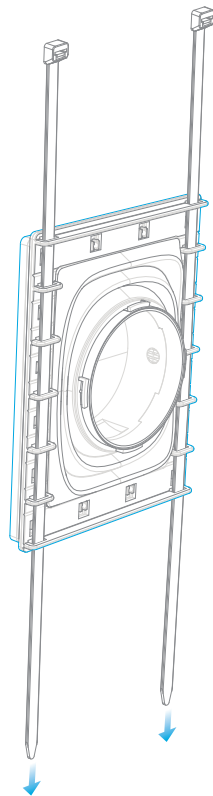
- Slide the cable ties or band clamps through the saddle eyelets.

Select band clamp or cable tie length that corresponds to the duct size.

Common lengths required:

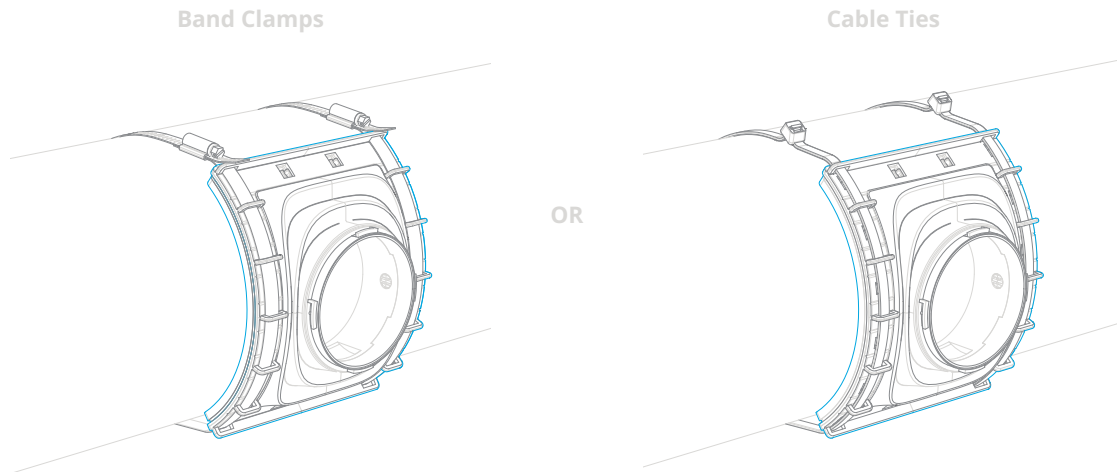
Duct	Length
6"	24"
8"	28"
10"	36"
12"	44"

Max width of eyelet is 1/2"



Step 3.

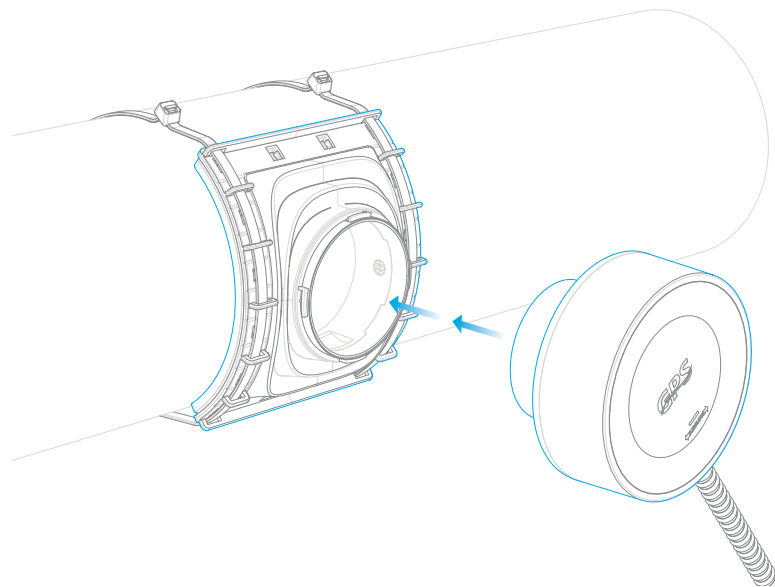
- Lay the saddle against the round duct and connect the cable ties or band clamps around the duct.
- Tighten the cable ties or band clamps until the foam gasket is slightly compressed against the duct wall.



You can pre-bend the saddle for smaller duct work if needed.

Step 4.

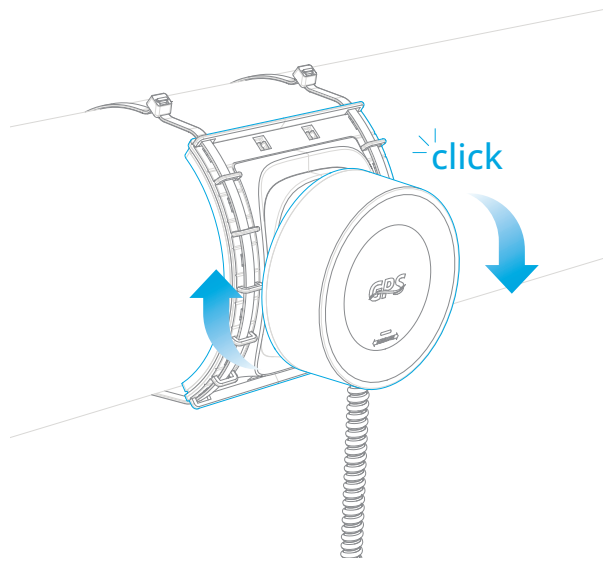
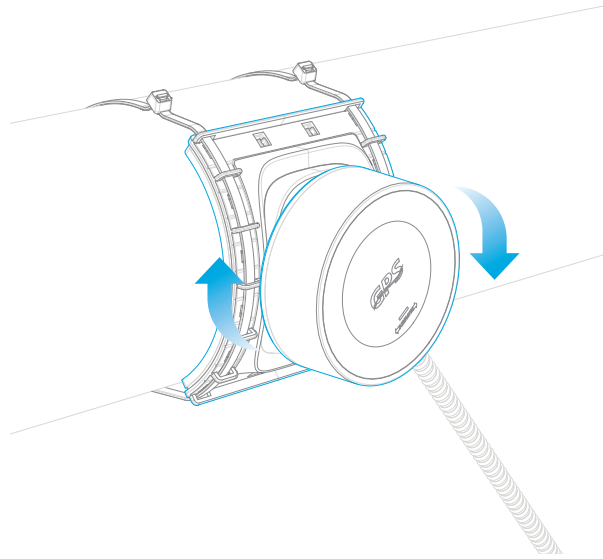
- Turn the DM-2 counter clockwise from the final installation orientation and insert into the saddle keeping in mind the airflow direction.



GPS[®]

Step 5.

- Rotate the DM-2 clockwise until you hear a click and the connection feels secure.

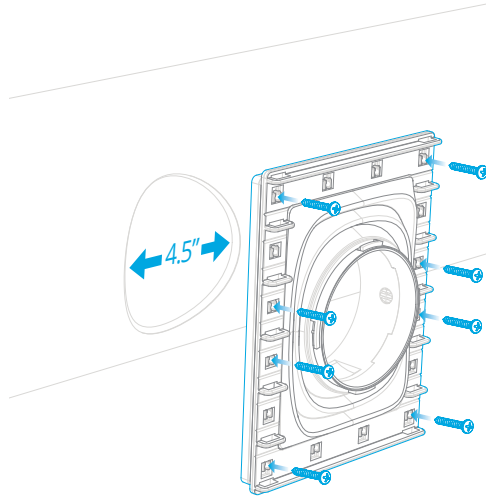


Pull back lightly on the device to ensure proper installation.



Alternative Fastener Installation

- Install fasteners in locations shown below.
- Use #6 X 1" self-piercing sheetmetal screw.
- Once secured, continue at **Step 4** to complete installation.



If duct surface is irregular and the DM-S does not form an adequate seal, additional fasteners may be used.

The information provided in this manual is up to date at the time of printing. Any revisions to this document will supersede the content included. For the latest applicable version of this manual, visit our website or utilize the QR code below.



For a video demonstration on how to install the DM-2 in conjunction with the DM-S adapter on round duct, visit www.gpsair.com/downloads or scan the QR code.



3101 Yorkmont Road • Suite 1500
Charlotte, NC 28208
980-279-5622

To access a list of applicable patents, please visit www.gpspatents.com

